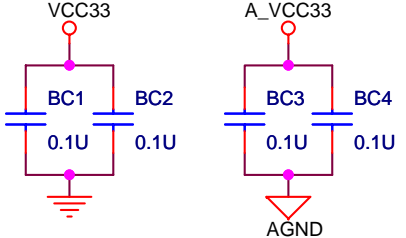
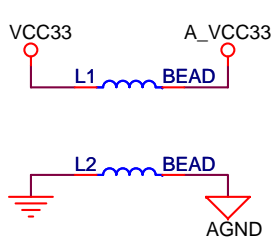
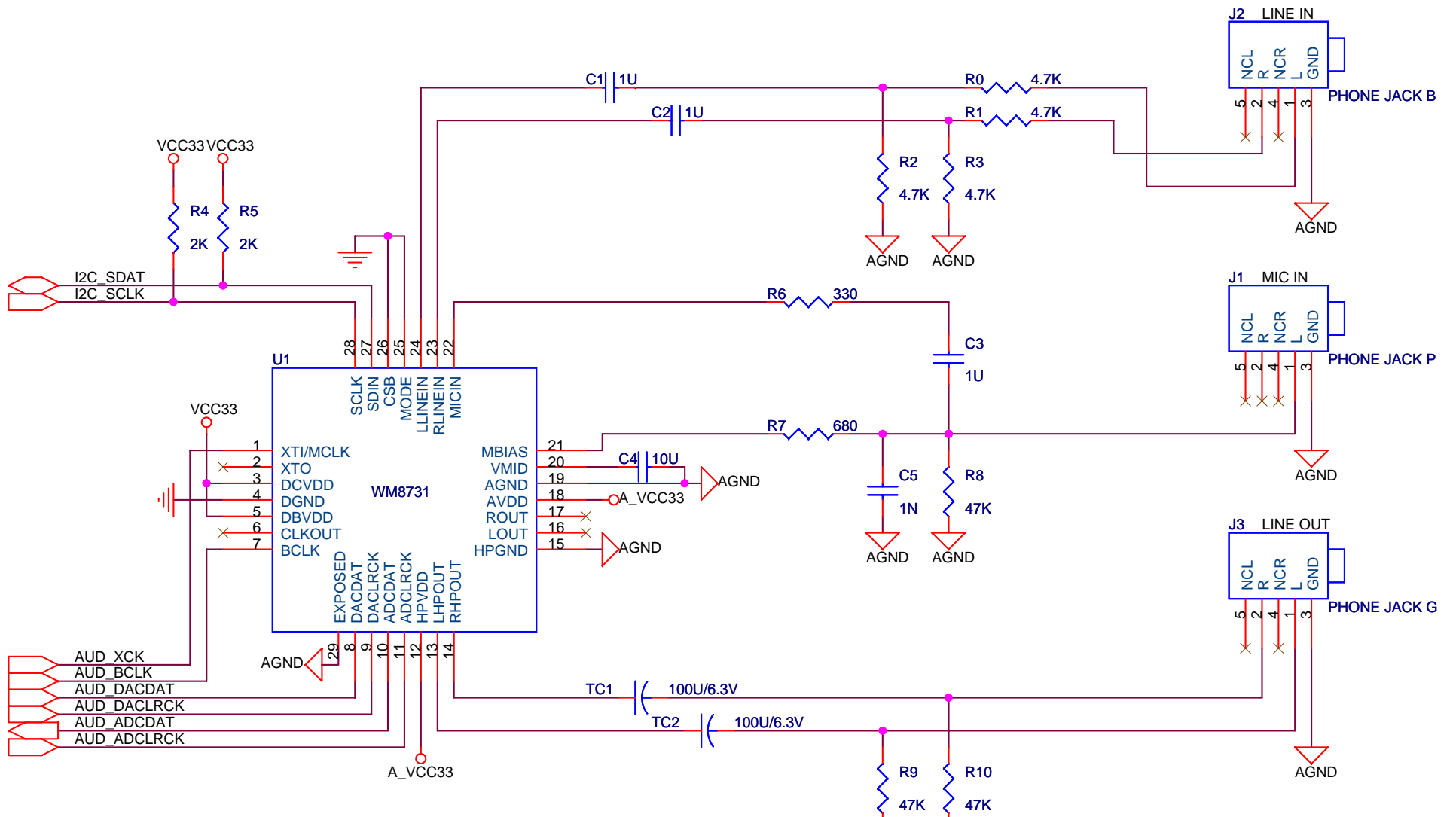



Copyright © 2006 by Terasic Technologies Inc. Taiwan.
 All rights reserved.
 No part of this schematic diagram may be reproduced, duplicated, or used without the prior written permission of Terasic.

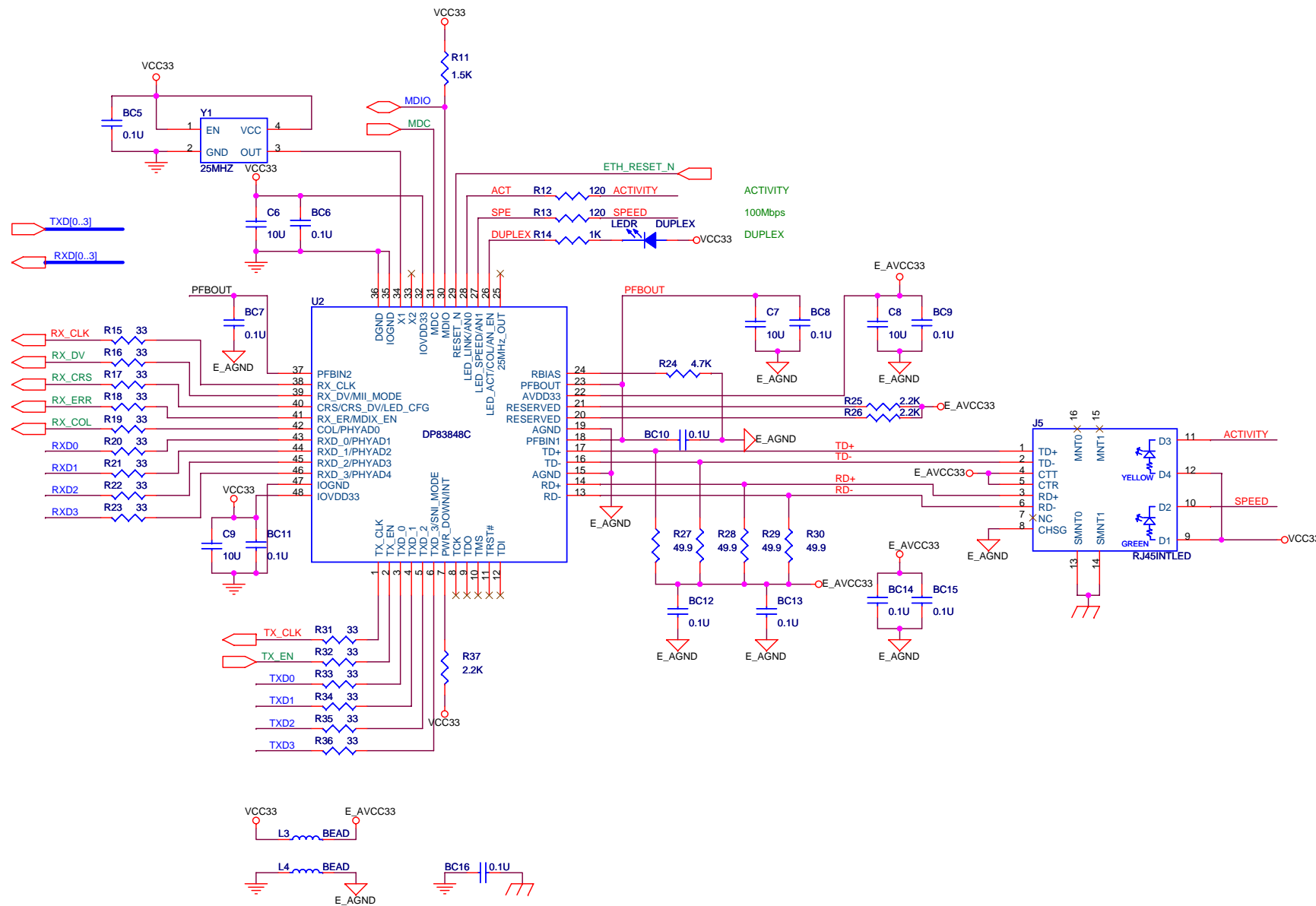
Title			HSMC Multimedia Board		
Size	Document Number				Rev
Custom	TOP				1.1
Date:	Thursday, August 23, 2007	Sheet	1	of	15



Copyright © 2006 by Terasic Technologies Inc. Taiwan. All rights reserved.  www.terasic.com

No part of this schematic design may be reproduced, duplicated, or used without the prior written permission of Terasic.

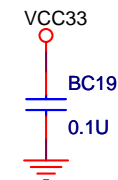
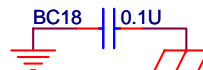
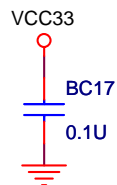
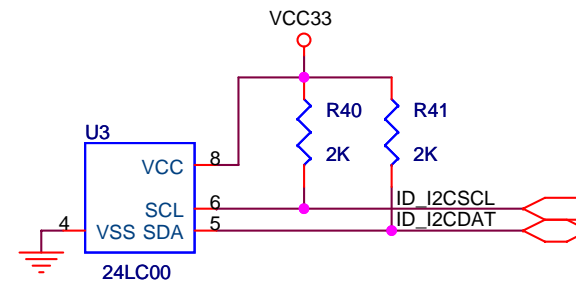
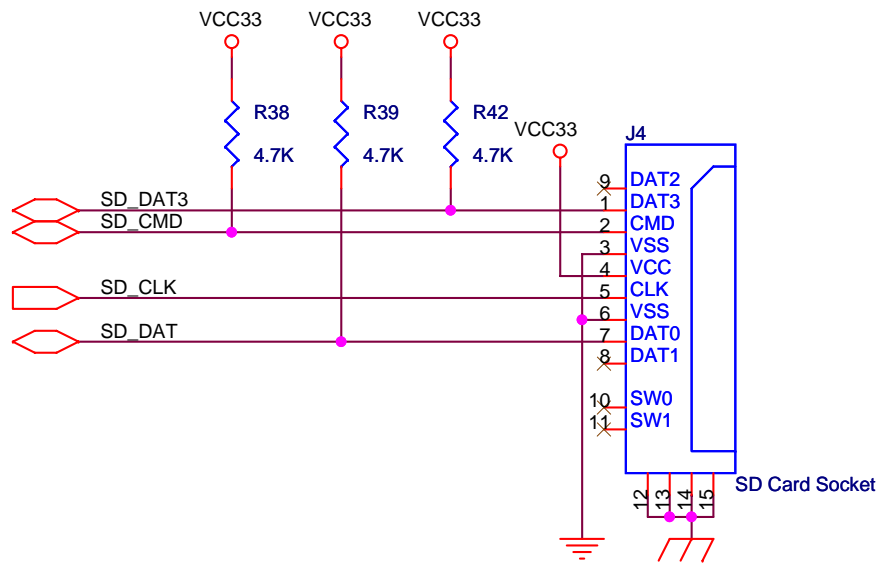
Title		
HSMC Multimedia Board		
Size A	Document Number Audio Codec	Rev 1.1
Date:	Thursday, August 23, 2007	Sheet 2 of 15



Copyright © 2006 by Terasic Technologies Inc. Taiwan.
All rights reserved.

No part of this schematic design may be reproduced, duplicated, or used without the prior written permission of Terasic.

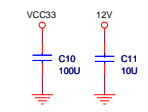
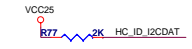
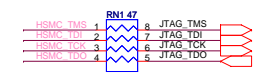
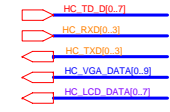
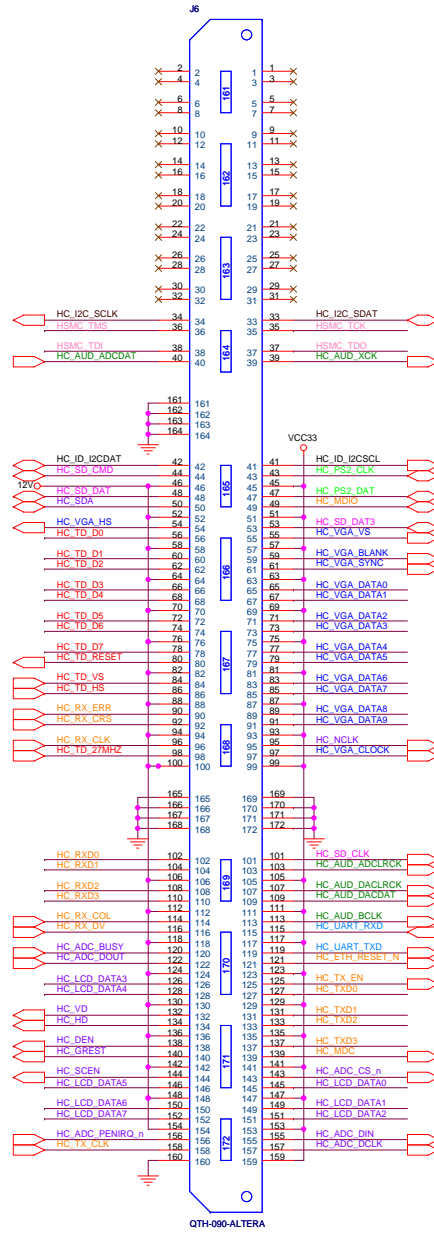
Title			HSMC Multimedia Board		
Size	Document Number				Rev
B	10/100 Ethernet				1.1
Date:	Thursday, August 23, 2007	Sheet	3	of	15



Copyright © 2006 by Terasic Technologies Inc. Taiwan.
All rights reserved.

No part of this schematic design may be reproduced, duplicated, or used without the prior written permission of Terasic.

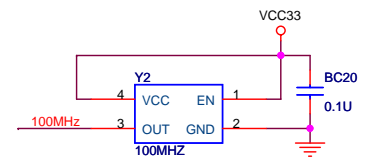
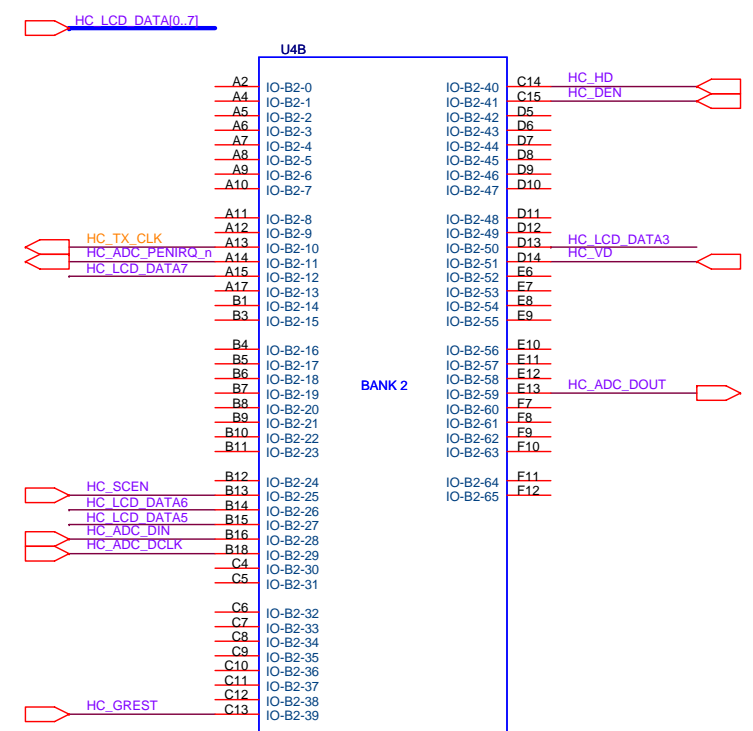
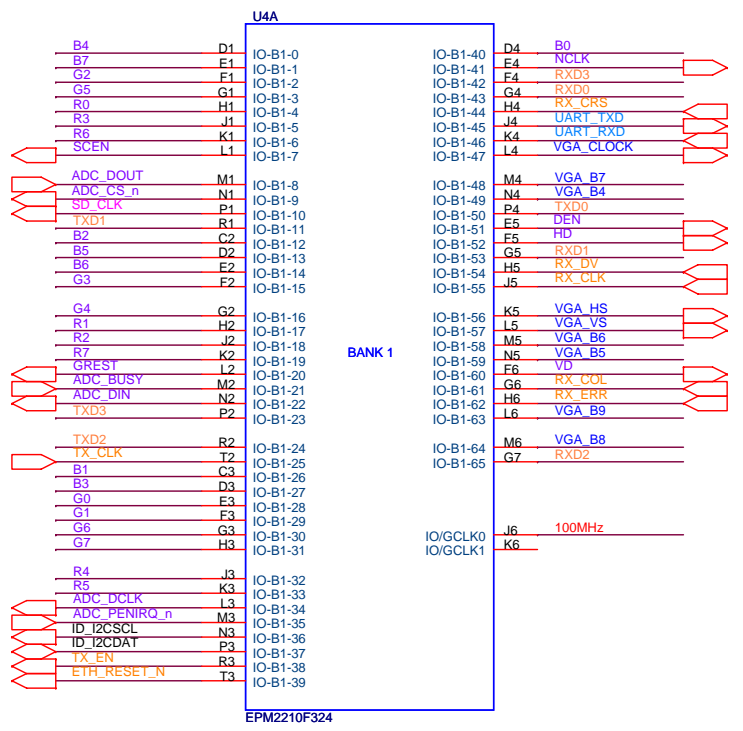
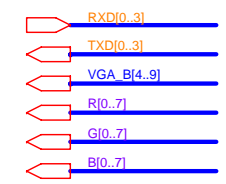
Title		
HSMC Multimedia Board		
Size A	Document Number Memory : SD Card & EEPROM	Rev 1.1
Date:	Thursday, August 23, 2007	Sheet 4 of 15



Copyright © 2006 by Terasac Technologies Inc. Taiwan. All rights reserved.

No part of this schematic design may be reproduced, duplicated, or used without the prior written permission of Terasac.

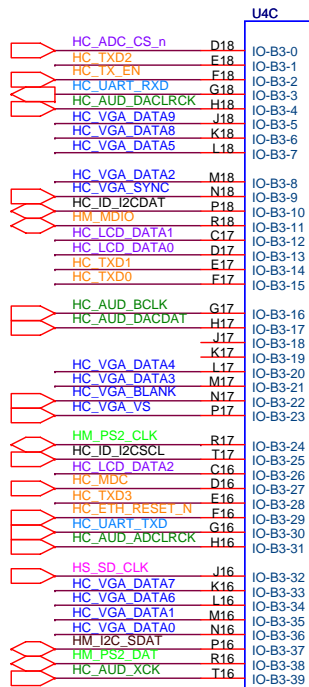
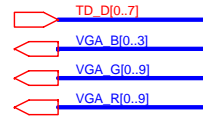
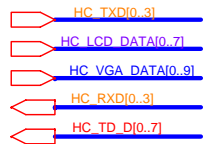
Title		HSMC Multimedia Board	
Size	Document Number	HSMC	
C			Rev 1.1
Date:	Thursday, August 23, 2007	Sheet	5 of 15



Copyright © 2006 by Terasic Technologies Inc. Taiwan.
All rights reserved.

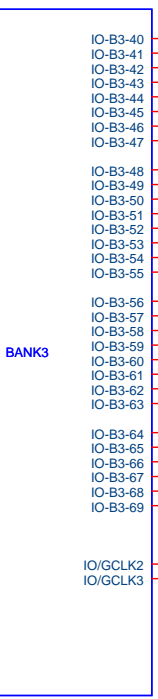
No part of this schematic design may be reproduced, duplicated, or used without the prior written permission of Terasic.

Title			
HSMC Multimedia Board			
Size	Document Number	Rev	
B	MAX II : Bank1 & Bank2	1.1	
Date:	Thursday, August 23, 2007	Sheet	6 of 15

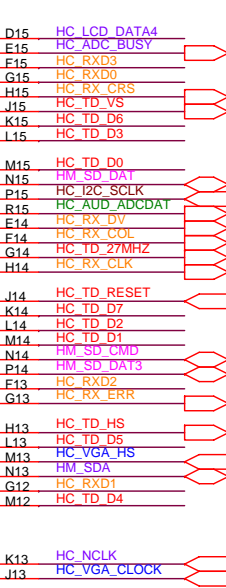


U4C

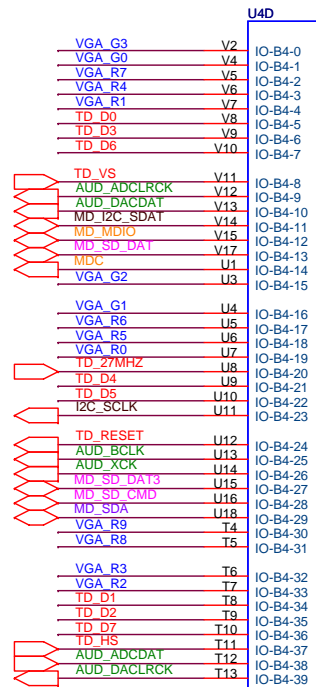
EPM2210F324



BANK3

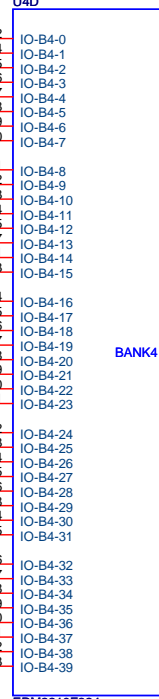


IO/GCLK2
IO/GCLK3

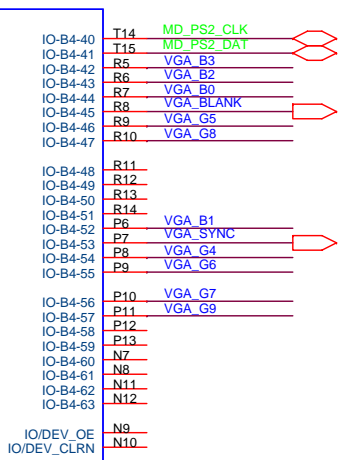


U4D

EPM2210F324



BANK4

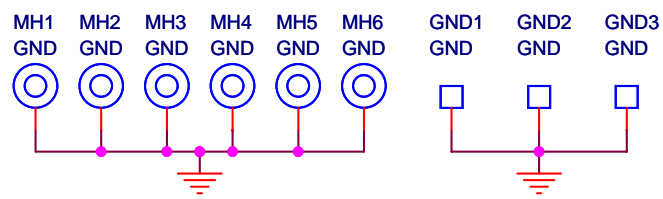
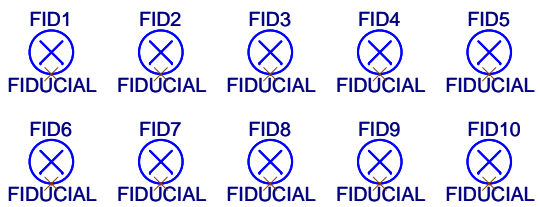
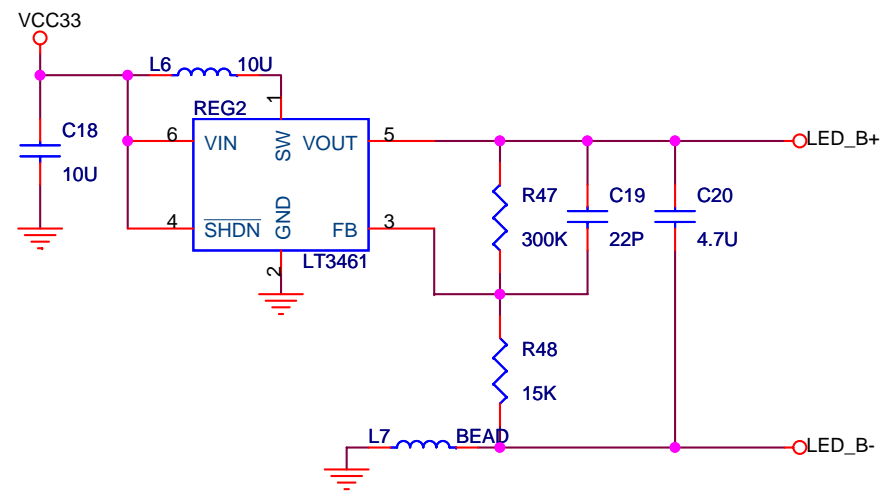
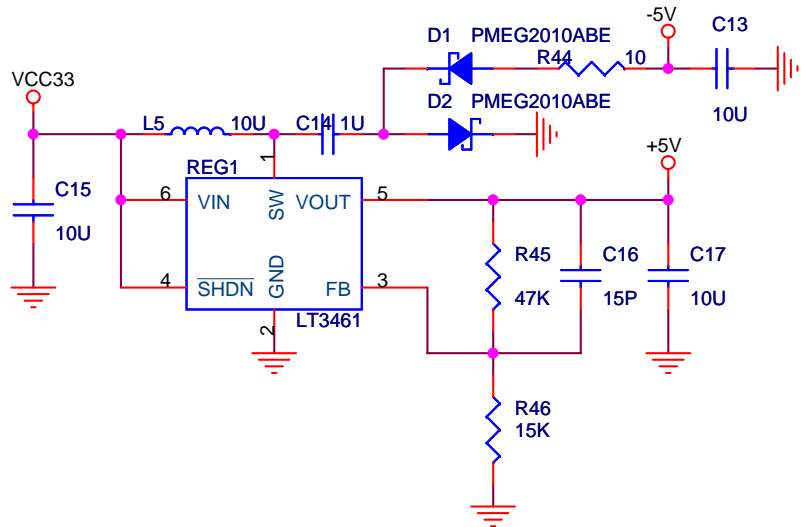


IO/DEV_OE
IO/DEV_CLRN



Copyright © 2006 by Terasic Technologies Inc. Taiwan.
All rights reserved.
No part of this schematic design may be reproduced, duplicated, or used without the prior written permission of Terasic.

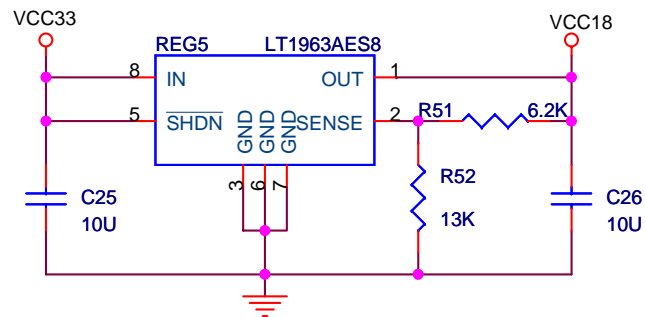
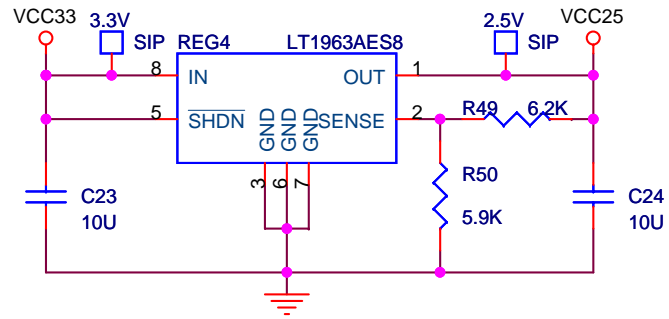
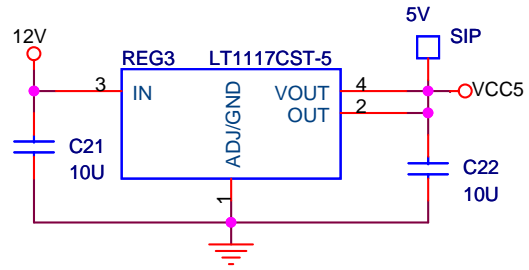
Title			HSMC Multimedia Board		
Size	Document Number	Rev			
B	MAX II : Bank3 & Bank4	1.1			
Date:	Thursday, August 23, 2007	Sheet	7	of	15



Copyright © 2006 by Terasic Technologies Inc. Taiwan. All rights reserved.

No part of this schematic design may be reproduced, duplicated, or used without the prior written permission of Terasic.

Title		
HSMC Multimedia Board		
Size A	Document Number DC to DC : LT3461	Rev 1.1
Date:	Thursday, August 23, 2007	Sheet 9 of 15

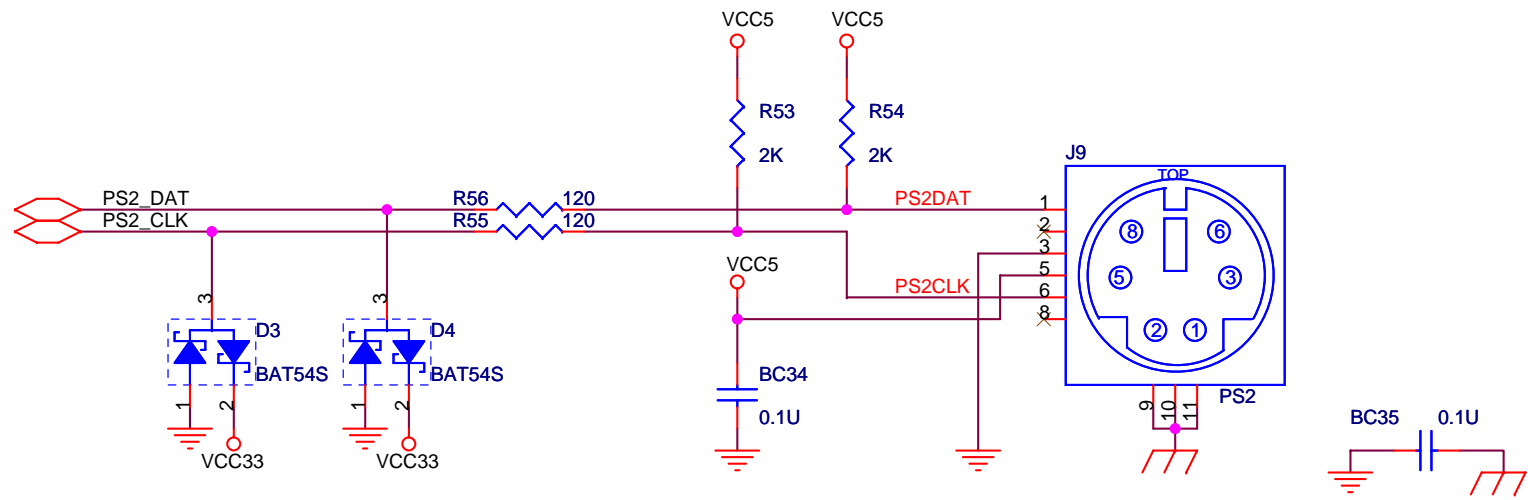
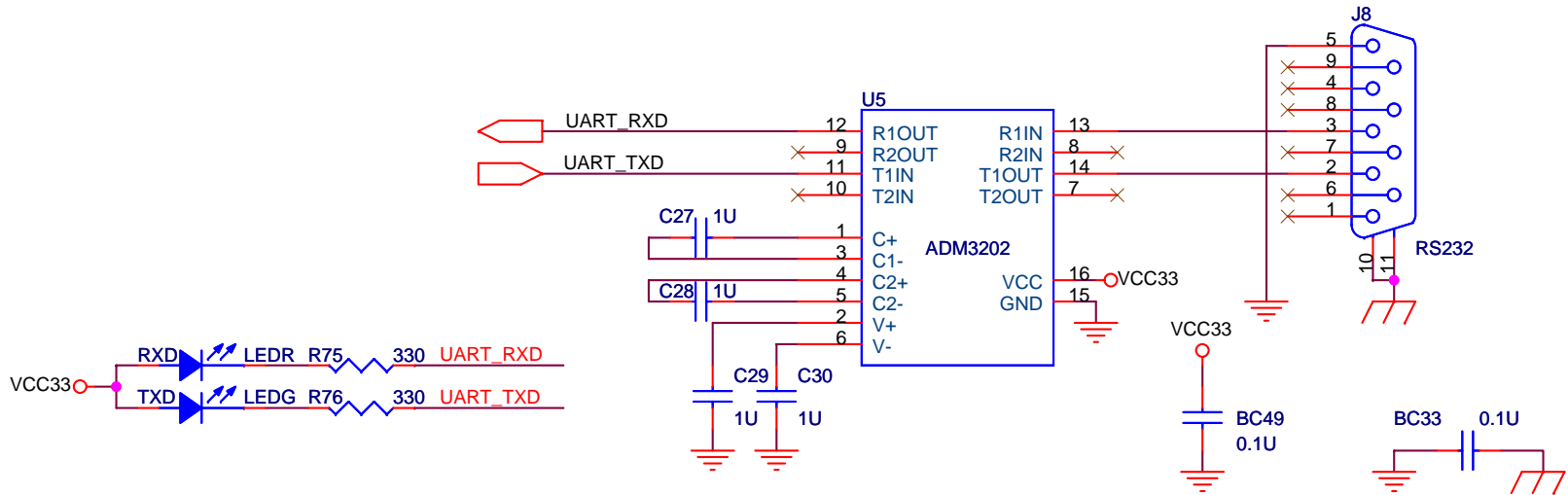


www.terasic.com

Copyright © 2006 by Terasic Technologies Inc. Taiwan.
All rights reserved.

No part of this schematic design may be reproduced, duplicated, or used without the prior written permission of Terasic.

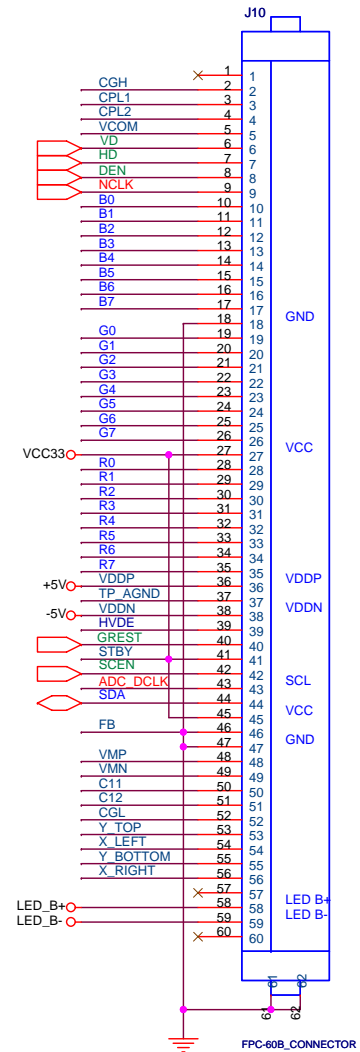
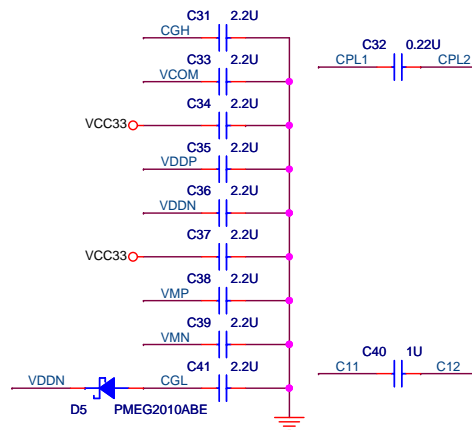
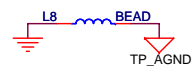
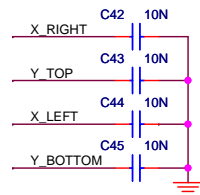
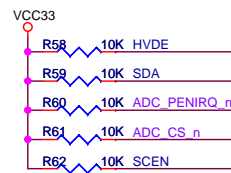
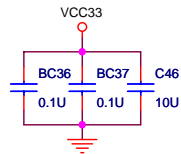
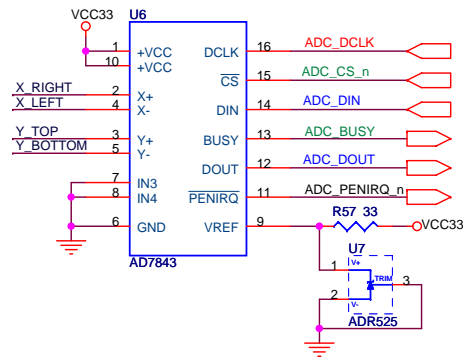
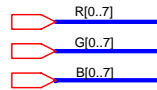
Title		
HSMC Multimedia Board		
Size A	Document Number LDO LT1963A and LT1117CST-5	Rev 1.1
Date:	Thursday, August 23, 2007	Sheet 10 of 15



Copyright © 2006 by Terasic Technologies Inc. Taiwan.
All rights reserved.

No part of this schematic design may be reproduced, duplicated, or used without the prior written permission of Terasic.

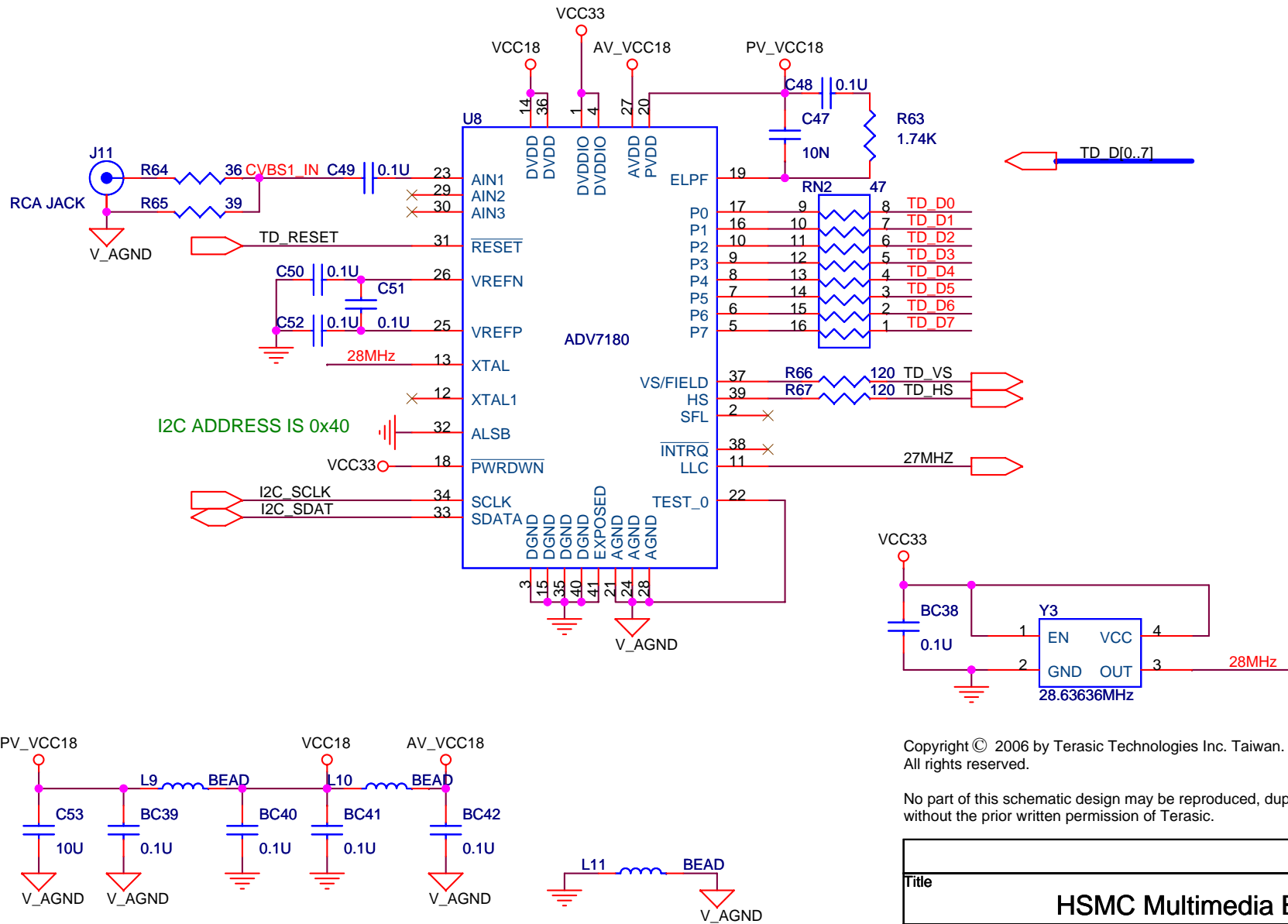
Title		
HSMC Multimedia Board		
Size A	Document Number RS232 & PS2	Rev 1.1
Date:	Thursday, August 23, 2007	Sheet 11 of 15



Copyright © 2006 by Terasic Technologies Inc. Taiwan.
All rights reserved.

No part of this schematic design may be reproduced, duplicated, or used without the prior written permission of Terasic.

Title		
HSMC Multimedia Board		
Size	Document Number	Rev
B	4.3" LCD Touch Panel	1.1
Date:	Thursday, August 23, 2007	Sheet 12 of 15

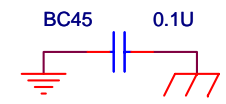
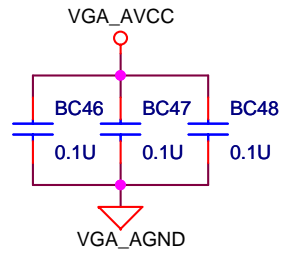
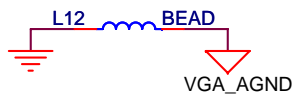
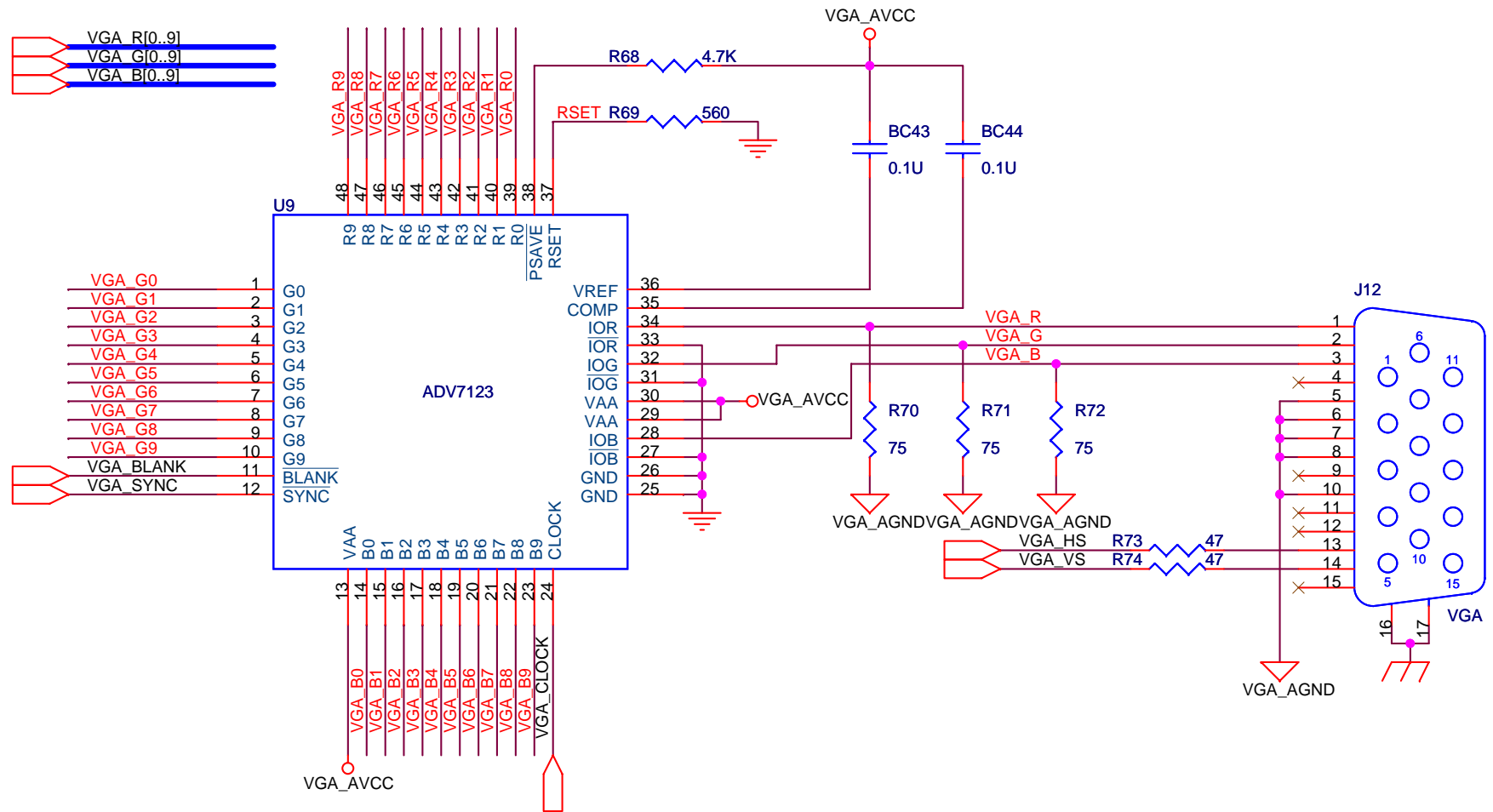


Copyright © 2006 by Terasic Technologies Inc. Taiwan. All rights reserved.



No part of this schematic design may be reproduced, duplicated, or used without the prior written permission of Terasic.

Title		
HSMC Multimedia Board		
Size A	Document Number TV Decoder	Rev 1.1
Date:	Thursday, August 23, 2007	Sheet 13 of 15

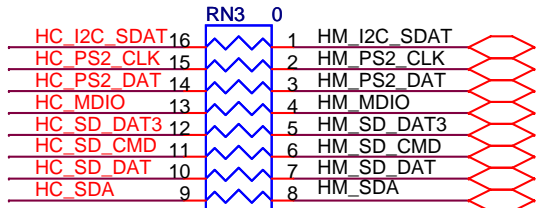


Copyright © 2006 by Terasic Technologies Inc. Taiwan. All rights reserved.

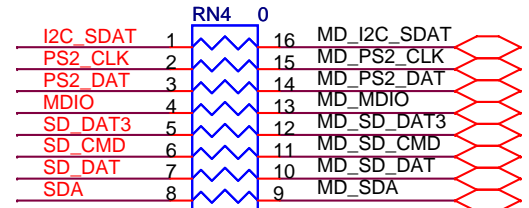


No part of this schematic design may be reproduced, duplicated, or used without the prior written permission of Terasic.

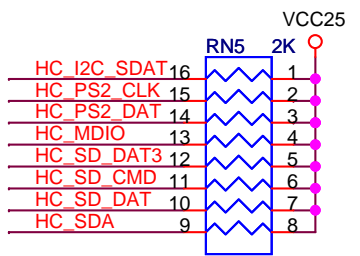
Title		
HSMC Multimedia Board		
Size A	Document Number VGA DAC	Rev 1.1
Date:	Thursday, August 23, 2007	Sheet 14 of 15



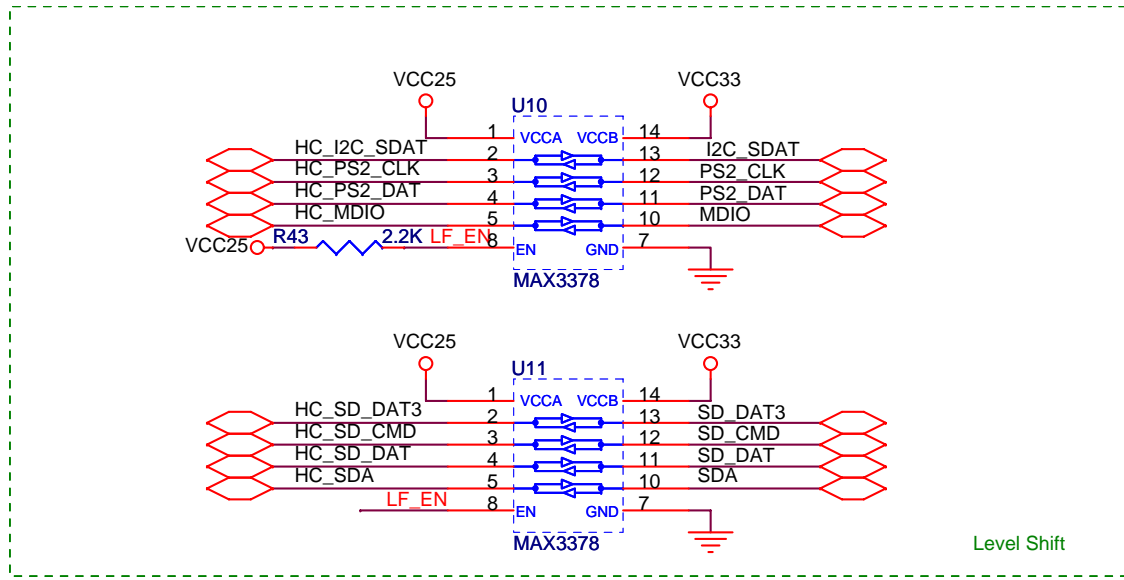
HSMC to MAXII By Pass Resistor



MAXII to Device By Pass Resistor



Pull-High Resistor



Level Shift



Copyright © 2006 by Terasic Technologies Inc. Taiwan. All rights reserved.

No part of this schematic design may be reproduced, duplicated, or used without the prior written permission of Terasic.

Title		
HSMC Multimedia Board		
Size A	Document Number Bidirectional Level Shift	Rev 1.1
Date:	Thursday, August 23, 2007	Sheet 15 of 15