



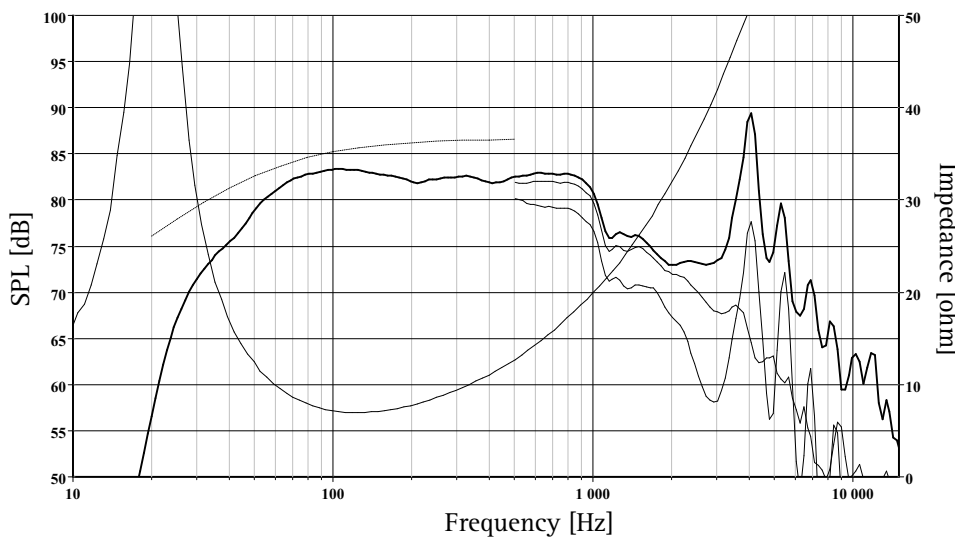
Extremely stiff aluminum cone gives tremendous bass precision. The cone and the low loss rubber surround show no sign of the familiar cone edge resonance and distortion associated with soft cones.

4-layer, extremely long, high temperature voice coil wound on an aluminium voice coil former gives a high power handling capacity.

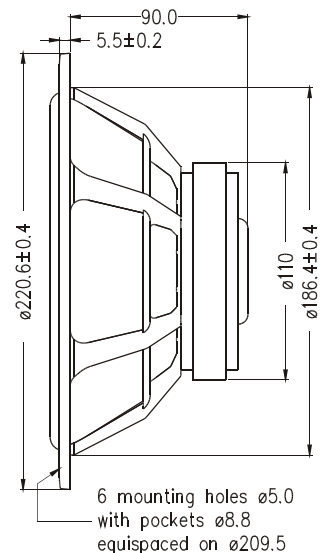
Phase plug reduces compression due to temperature variations in the voice coil, eliminates resonances that would occur in the volume between the dust cap and the pole piece and increases the power handling capacity.

Large magnet system provides reasonably high efficiency and low Q.

Extremely stiff and stable injection moulded metal basket keeps the critical components in perfect alignment. Large windows in the basket both above and below the spider reduce sound reflection, air flow noise and cavity resonance to a minimum.



The frequency responses above show measured free field sound pressure in 0, 30, and 60 degrees angle using a 21L closed box. Input 2.83 V_{RMS}, microphone distance 0.5m, normalized to SPL 1m. The dotted line is a calculated response in infinite baffle based on the parameters given for this specific driver. The impedance is measured in free air without baffle using a 2V sine signal.



Nominal Impedance	8 Ohms	Voice Coil Resistance	6.1 Ohms
Recommended Frequency Range	20 - 1000 Hz	Voice Coil Inductance	3.76 mH
Short Term Power Handling *	300 W	Force Factor	10.7 N/A
Long Term Power Handling *	125 W	Free Air Resonance	21 Hz
Characteristic Sensitivity (2,83V, 1m)	86.5 dB	Moving Mass	40.0 g
Voice Coil Diameter	39 mm	Air Load Mass In IEC Baffle	1.89 g
Voice Coil Height	20 mm	Suspension Compliance	1.4 mm/N
Air Gap Height	6 mm	Suspension Mechanical Resistance	1.76 Ns/m
Linear Coil Travel (p-p)	14 mm	Effective Piston Area	220 cm ²
Maximum Coil Travel (p-p)	21 mm	VAS	93 Litres
Magnetic Gap Flux Density	0.9 T	QMS	3.13
Magnet Weight	0.64 kg	QES	0.29
Total Weight	2.20 kg	QTS	0.27