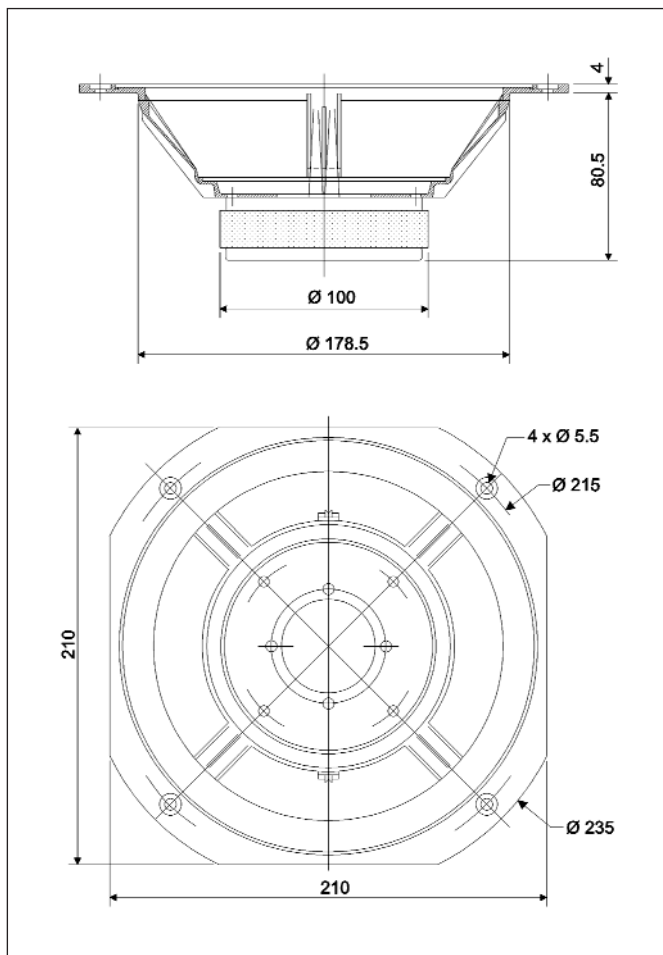


AUDIOPHILE SERIES

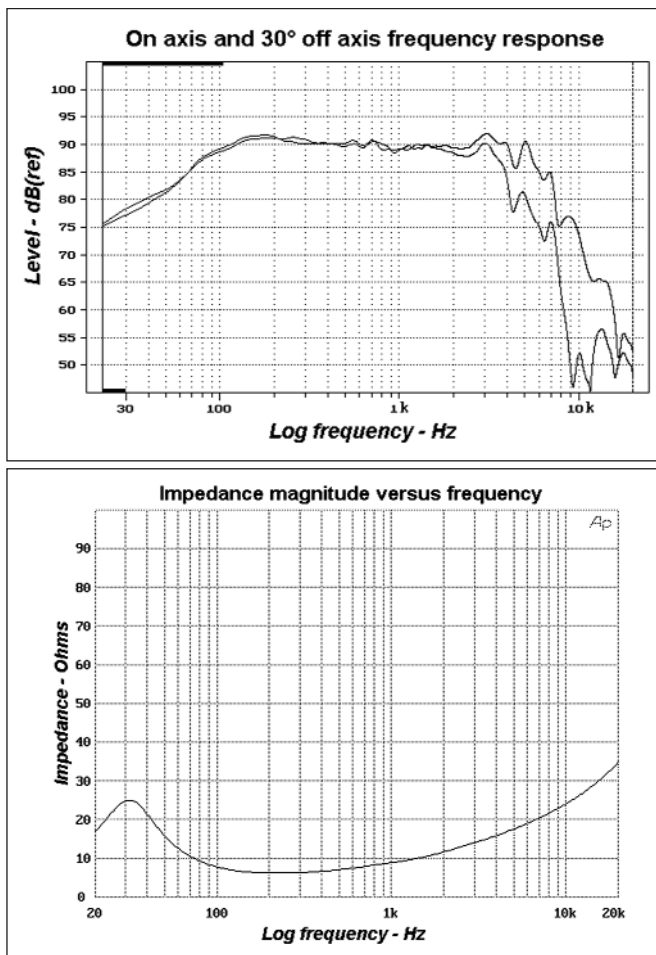
- Thick zamak alloy metal cast frame
- Semi exponential Polyglass cone, rubber surround
- 40 mm diameter voice coil, black aluminium former
- Efficiency : 90.2 dB
- Good efficiency for 25 l vented 2-way systems



DRAWING



MEASUREMENTS



SPECIFICATIONS

Nominal power handling	100	W
Program power handling	150	W
Sensitivity	90.2	dB (2.8V/1m)
Cone	Polyglass	
Surround	Rubber	
Nominal impedance	8	Ω
DC resistance	5.2	Ω
VC diameter	40	mm
VC height	15	mm
Former	Black Aluminium	
Layers	2	
Wire	Copper	
Inductance	0.6	mH
Xmax	4.5	mm
Magnet diameter x height	100 x 18	mm x mm
Magnet weight	564	g
Flux density	1.04	T
Gap height	6	mm
Net weight	1.8	kg

PARAMETERS

Fs	29.6	Hz
Vas	92.2	l
Qts	0.26	
Qes	0.33	
Qms	1.26	
Re	5.3	Ω
Sd	221.7	cm ²
Cas	656E-9	m ² /N
Mas	44.1	kg/m ⁴
Ras	6 503.4	Ω .ac
Cms	134E-5	m/N
Mms	21.6	g
Rms	3 196	g/s
Ces	338.0	μ F
Les	85.5	mH
Res	20.1	Ω
Bl	8.0	N/A
SPL	90.4	dB/W/m

SIMULATION

Ql:	7	Ω
Rg:	0.3	
Qts (+Rg):	0.27	

Low response simulation graph showing Level - dB vs Log frequency - Hz. The response is around -5 dB at 50 Hz and rises to 0 dB at 100 Hz.

Vb:	25	l
Fb:	43.6	Hz
F-3:	52.2	Hz