

A	B	C	D
Revision	Date	Description	Approval
A		Initial Release	
1			
2			
3			
4			

- Contents:
1. This page
 2. DSP
 3. Codec
 4. Analog
 5. Connectors

Sheet: Title



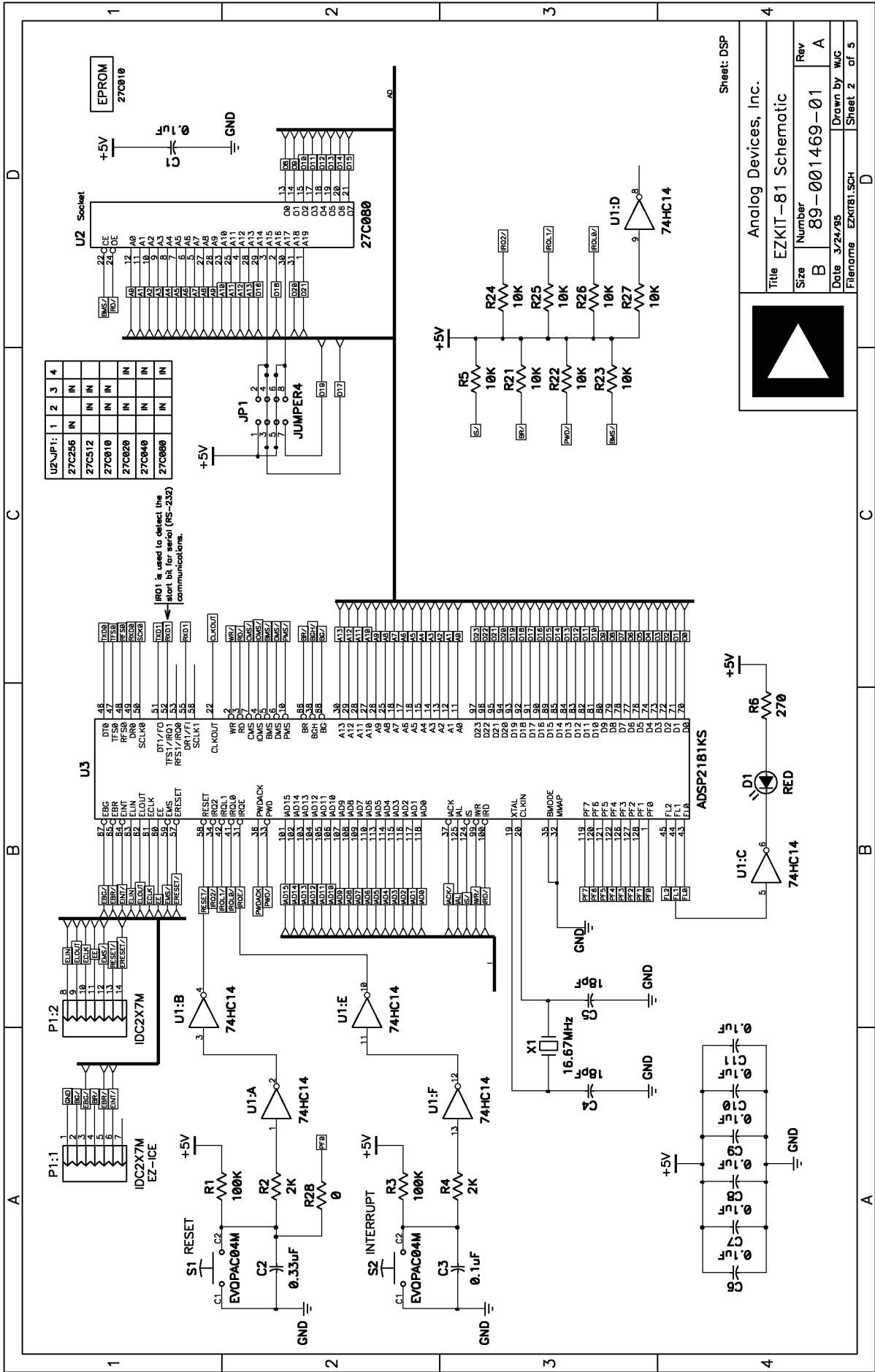
Title		Analog Devices, Inc.	
EZKIT-81 Schematic			
Size	Number	Rev	
B	89-001469-01	A	
Date	Drawn by		WJC
3/24/95			
Filename	EZKIT81.SCH	Sheet	1 of 5

D

C

B

A



Sheet: DSP

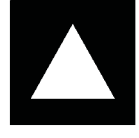
Analog Devices, Inc.

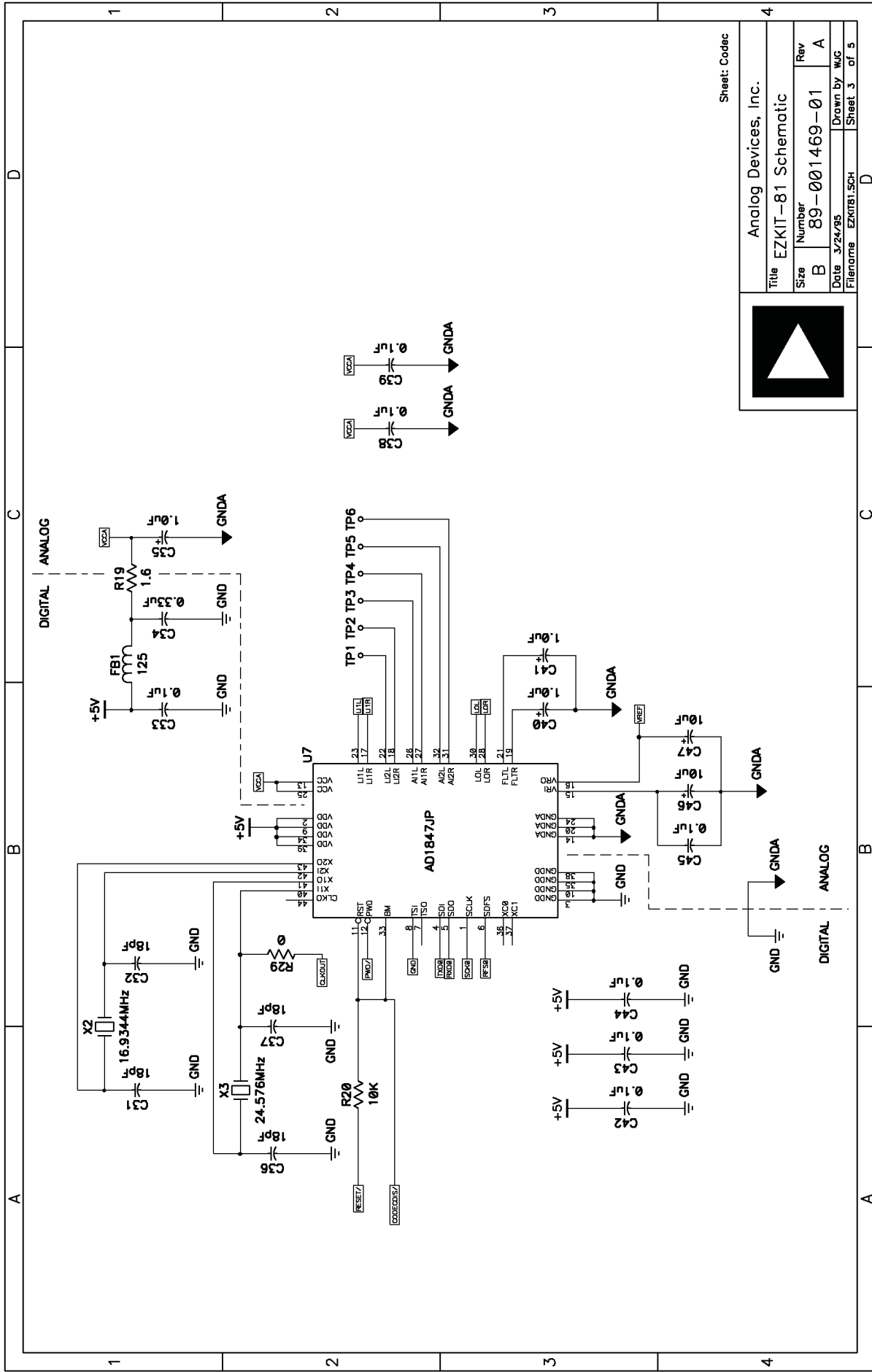
Title EZKIT-81 Schematic

Size Number 89-001469-01 Rev A

Date 3/24/95 Drawn by wuc

Filename EZKIT81.SCH Sheet 2 of 5

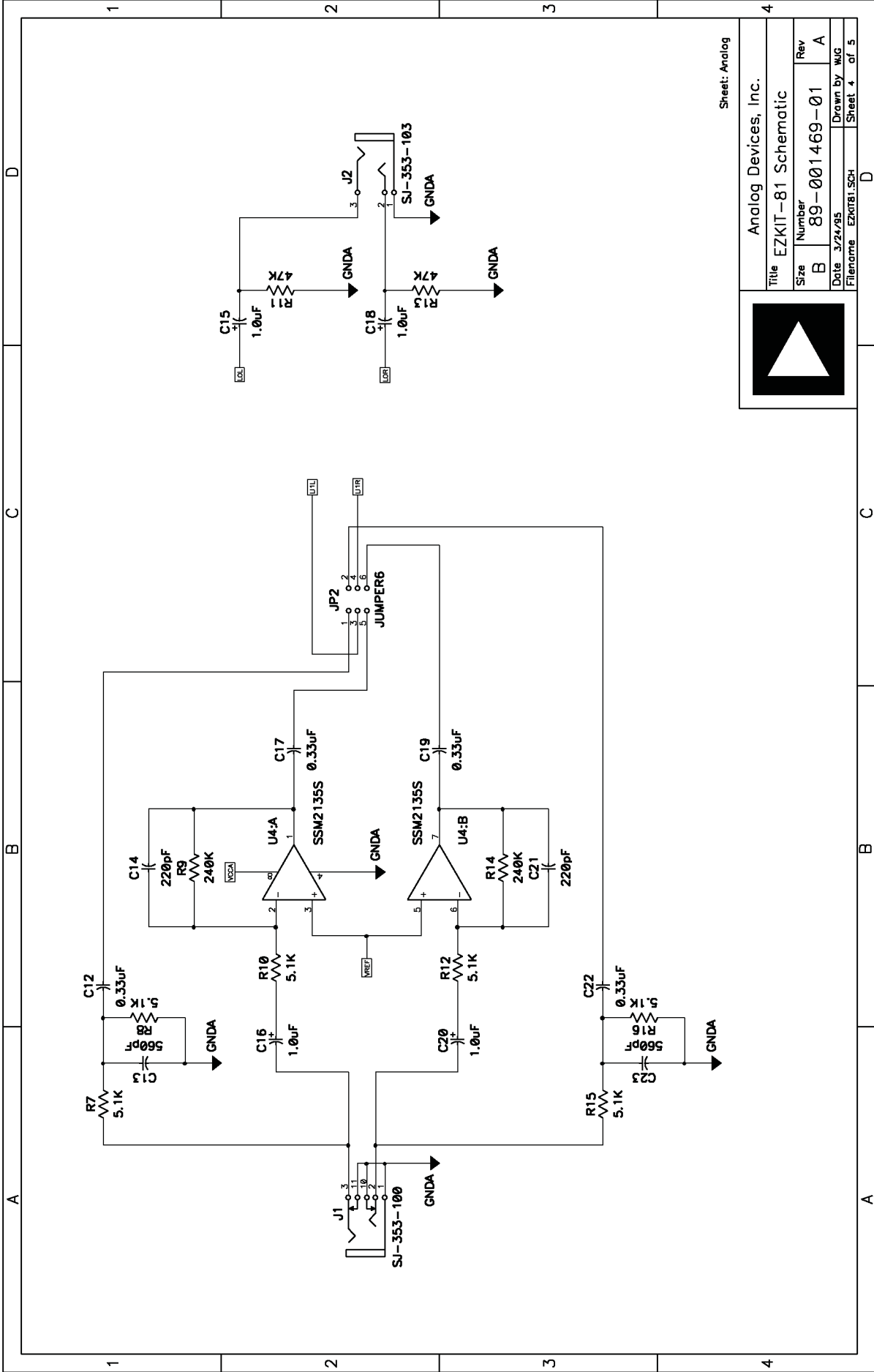




Sheet: Codec

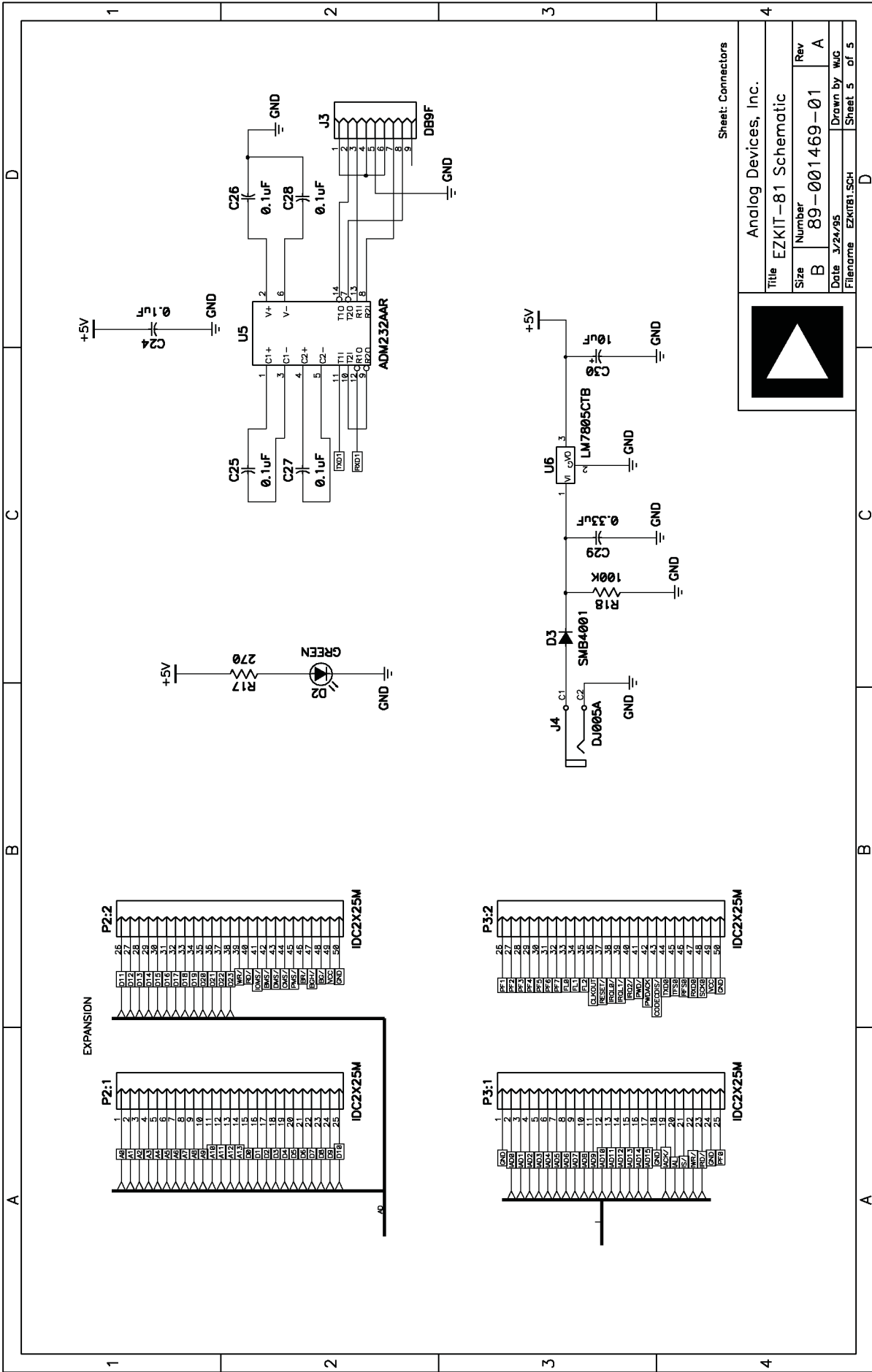


Title		EZKIT-81 Schematic	
Size	Number	Rev	
B	89-001469-01	A	
Date	Drawn by		w/c
Filename	EZKIT81.SCH		Sheet 3 of 5



Sheet: Analog

Analog Devices, Inc.			
Title EZKIT-81 Schematic			
Size	Number	Rev	
B	89-001469-01	A	
Date	3/24/95	Drawn by	WJG
Filename	EZKIT81.SCH	Sheet	4 of 5



Sheet: Connectors

Analog Devices, Inc.

Title EZKIT-81 Schematic

Size B

Number 89-001469-01

Rev A

Date 3/24/95

Filename EZKIT81.SCH

Drawn by WJC

Sheet 5 of 5